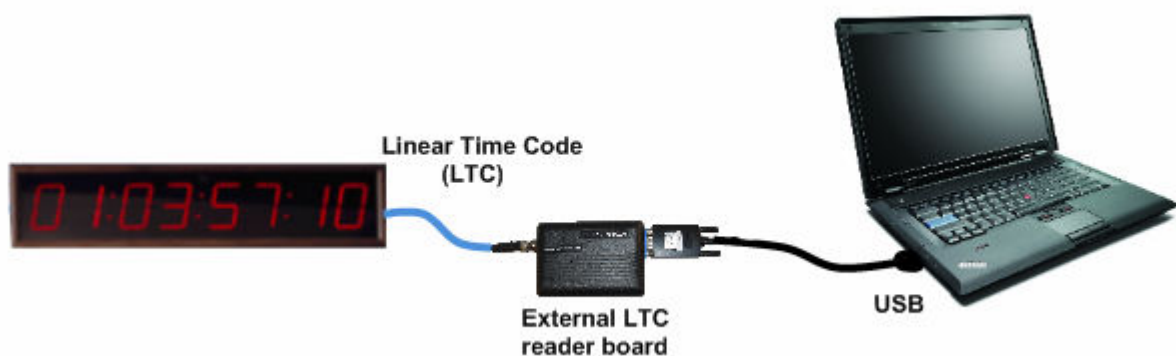


## Studio computers timing system LTC TIME

Sometimes studio computers needs to be absolutely timed with studio time system. Usually, internal computer clock has not enough accuracy. LTC TIME system allows to do that. System accepts linear time code (LTC) to set computer time. LTC reader board can be as internal or external board, connected to USB or COM ports. LTC reading directly from computer audio IN input is also available as option. Software allows to preview current time code, set computer timing interval, load time correction constant and set time zone. LTC TIME software loads on computer start up. Software provides no time code indication on the computer screen.



### Technical specifications:

Input:	LTC
LTC board interface:	COM, USB (optional)
Timing interval:	1 sec to 60 min, never
Time correction interval:	-2 sec...+2 sec
Time zone:	-12...+12 hours

Vilniaus g. 215/15, Šiauliai LT-76348, Lithuania

www.textus.lt  
E-mail: info@textus.lt  
Tel: +37041-525930  
Fax: +37041-525930